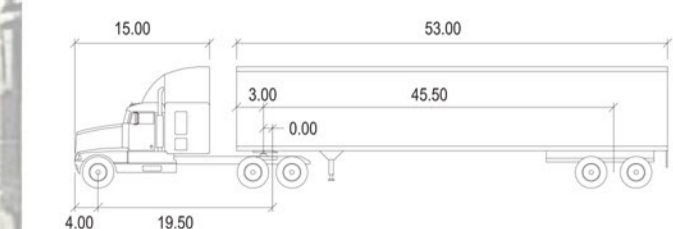


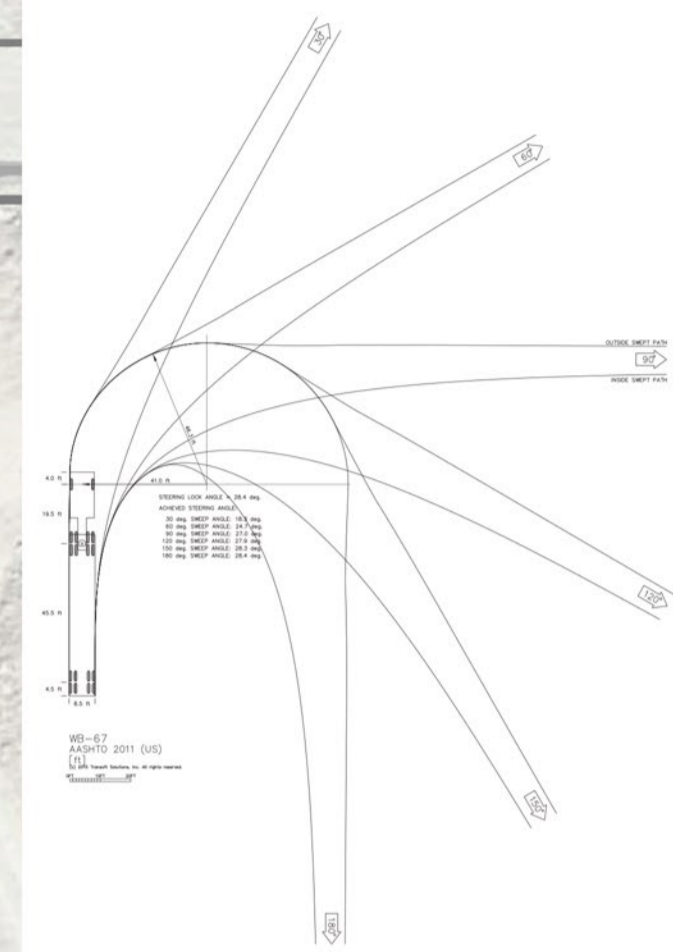


**LEGEND**

TYPICAL SERVICE/BROADCAST VEHICLE



WB-67	feet	Lock to Lock Time	: 6.0
Tractor Width	: 8.00	Steering Angle	: 28.4
Tractor Track	: 8.00	Articulating Angle	: 75.0
Trailer Track	: 8.50		



**NOTES**

STREETSCAPE MATERIALS/DETAILS ARE SHOWN IN CONCEPT FOR ILLUSTRATIVE PURPOSES. THE FINAL MATERIALS OF THE SITE STADIUM IMPROVEMENTS WILL BE SELECTED DURING DETAILED DESIGN PHASES OF WORK AND CONFORM WITH APPLICABLE DESIGN AND PERMITTING STANDARDS.

PLANT SPECIES SELECTIONS IDENTIFIED ON THE PLANS/SCHEDULES ARE SHOWN TO ILLUSTRATE DESIGN INTENT ONLY. THE PURPOSE IS TO GENERALLY DEFINE PLANT SIZE, CHARACTER, AND LOCATIONS. REFINEMENTS TO THE PLANTING DESIGN AND FINAL SELECTION OF ALL PLANT MATERIALS CONSISTENT WITH THE SPECIES SHOWN SHALL BE DEVELOPED DURING DETAILED DESIGN PHASES OF WORK.

ALL R.O.W. IMPROVEMENTS ARE SHOWN FOR ILLUSTRATIVE PURPOSES AND ARE BY OTHERS.

BUILDING LAYOUTS ARE ILLUSTRATIVE ONLY AND SUBJECT TO CHANGE ON FINAL PLAN.

**POPULOUS**

Marshall | Moya Design

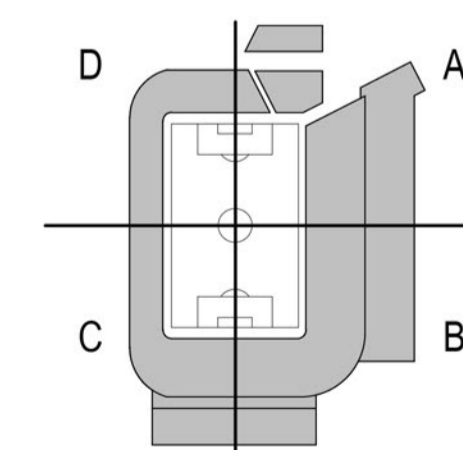
**POPULOUS**  
 1000 17th Street, NW  
 Washington, DC 20036  
 Phone: 202.462.1000  
 www.populous.com



DC UNITED SOCCER STADIUM

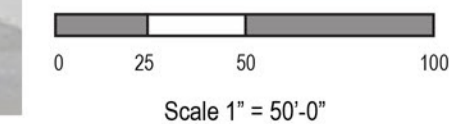
100 Potomac Avenue, SW  
 Washington, DC 20024

100% PUD SUBMISSION



POPULOUS  
 1000 17th Street, NW  
 Washington, DC 20036  
 Phone: 202.462.1000  
 www.populous.com

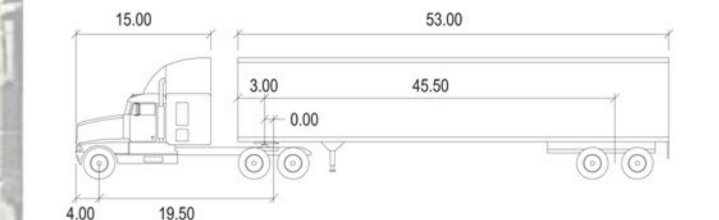
CIRCULATION PLAN - TRUCK TURNING DIAGRAMS ENTERING THE SITE



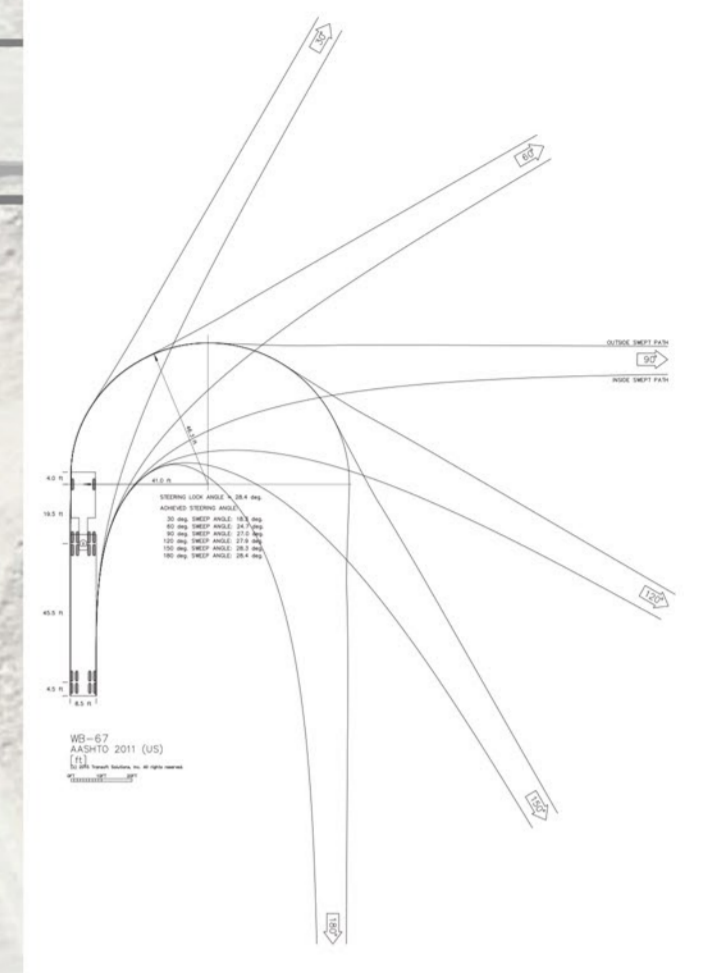


**LEGEND**

TYPICAL SERVICE/BROADCAST VEHICLE



WB-67	feet	Lock to Lock Time	Steering Angle	Articulating Angle
Tractor Width	: 8.00	: 6.0	: 28.4	
Tractor Track	: 8.50			: 75.0
Trailer Track	: 8.50			



**NOTES**

STREETSCAPE MATERIALS/DETAILS ARE SHOWN IN CONCEPT FOR ILLUSTRATIVE PURPOSES. THE FINAL MATERIALS OF THE SITE STADIUM IMPROVEMENTS WILL BE SELECTED DURING DETAILED DESIGN PHASES OF WORK AND CONFORM WITH APPLICABLE DESIGN AND PERMITTING STANDARDS.

PLANT SPECIES SELECTIONS IDENTIFIED ON THE PLANS/SCHEDULES ARE SHOWN TO ILLUSTRATE DESIGN INTENT ONLY. THE PURPOSE IS TO GENERALLY DEFINE PLANT SIZE, CHARACTER, AND LOCATIONS. REFINEMENTS TO THE PLANTING DESIGN AND FINAL SELECTION OF ALL PLANT MATERIALS CONSISTENT WITH THE SPECIES SHOWN SHALL BE DEVELOPED DURING DETAILED DESIGN PHASES OF WORK.

ALL R.O.W. IMPROVEMENTS ARE SHOWN FOR ILLUSTRATIVE PURPOSES AND ARE BY OTHERS.

BUILDING LAYOUTS ARE ILLUSTRATIVE ONLY AND SUBJECT TO CHANGE ON FINAL PLAN.

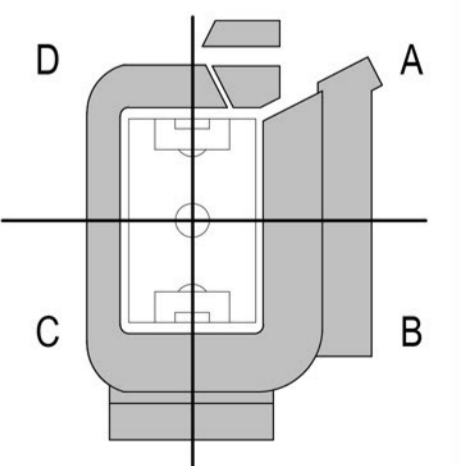
**POPULOUS**  
Marshall | Moya Design

**POPULOUS**  
Landscape Architecture  
1000 15th Street, NW  
Washington, DC 20004  
Tel: 202.462.1100  
www.populous.com

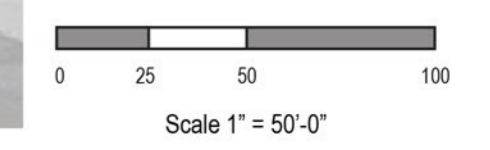


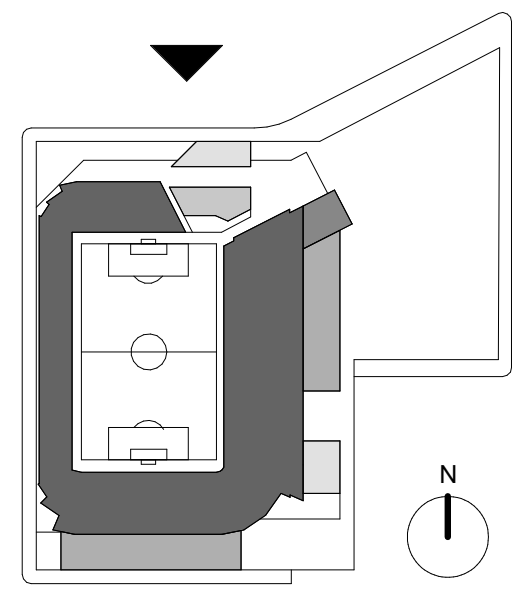
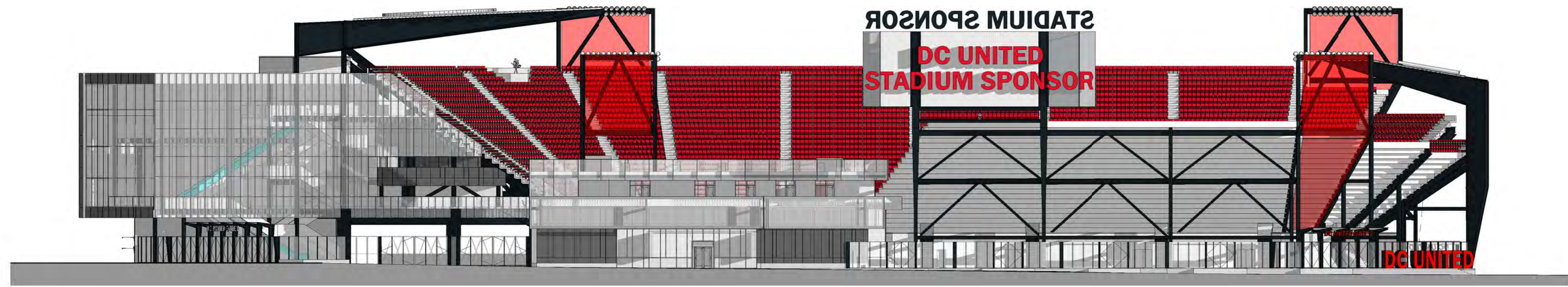
DC UNITED SOCCER STADIUM  
100 Potomac Avenue, SW  
Washington, DC 20024

100% PUD SUBMISSION

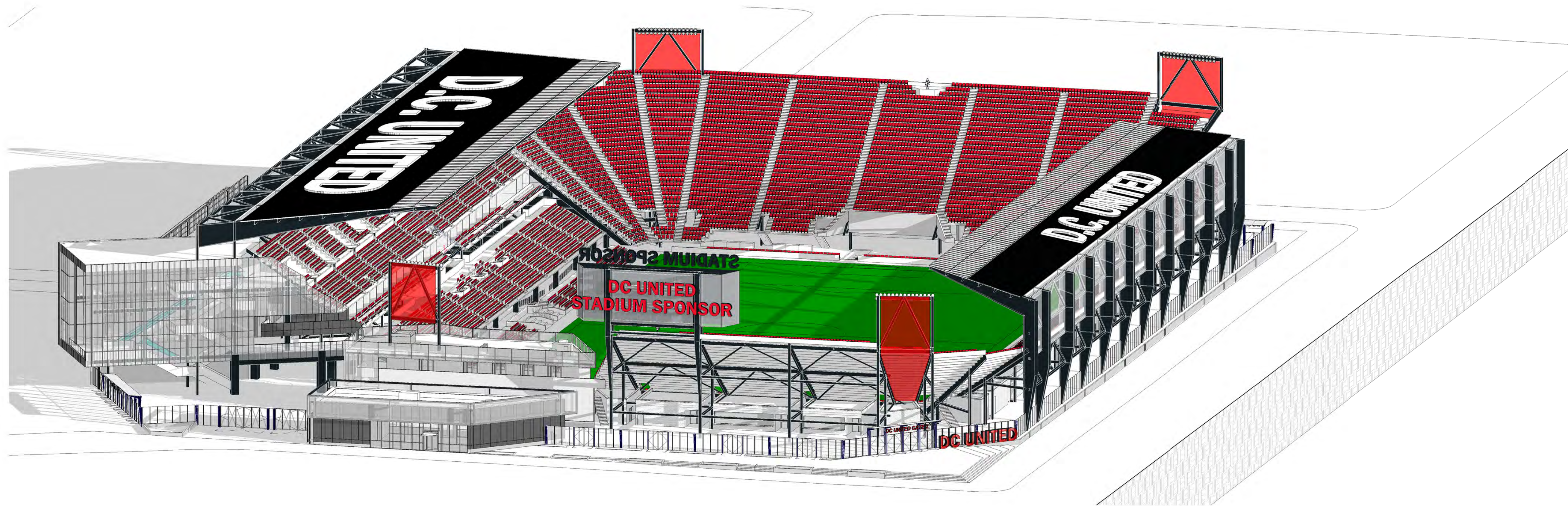


CIRCULATION PLAN - TRUCK TURNING DIAGRAMS  
EXITING THE SITE





0 30' 60' ① NORTH ELEVATION  
1" = 30'-0"



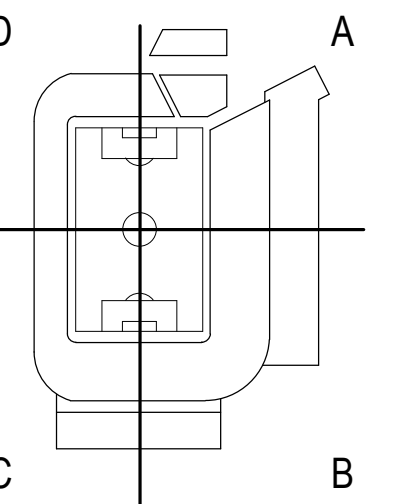
② NORTH ISOMETRIC VIEW

**POPULOUS**  
Marshall Moya Design

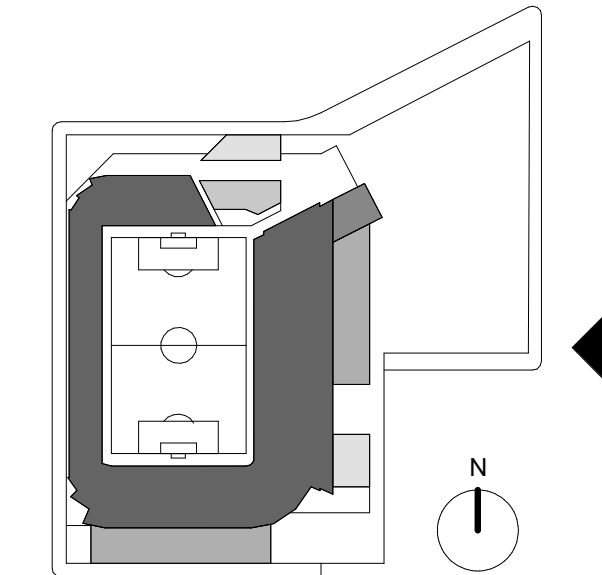


DC UNITED SOCCER STADIUM  
100 Potomac Avenue, SW  
Washington, DC 20024

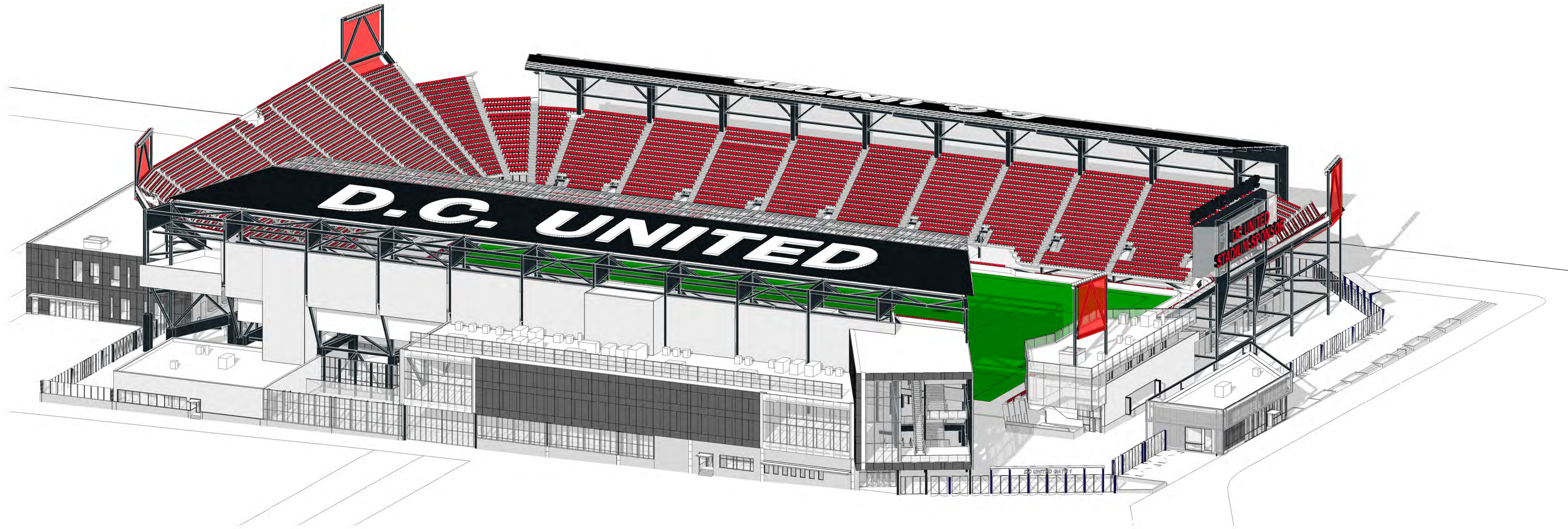
100% PUD SUBMISSION



NORTH OVERALL  
ELEVATIONS



0 30' 60' ① EAST ELEVATION  
1" = 30'-0"



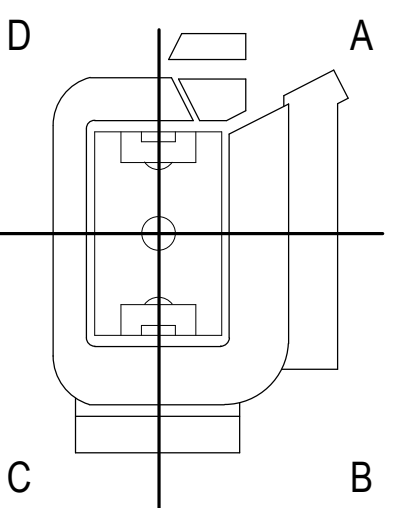
② EAST ISOMETRIC VIEW

**POPULOUS**  
Marshall | Moya Design

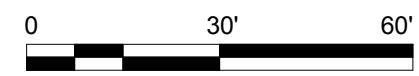
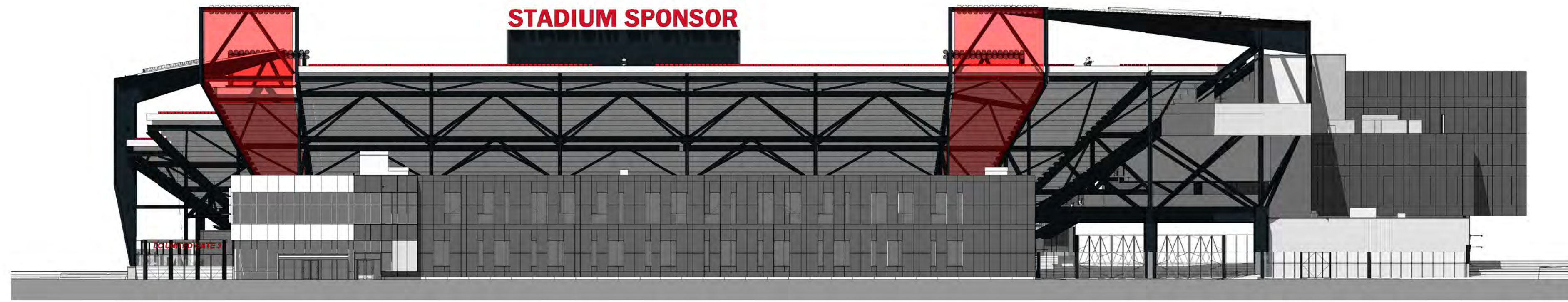


DC UNITED SOCCER STADIUM  
100 Potomac Avenue, SW  
Washington, DC 20024

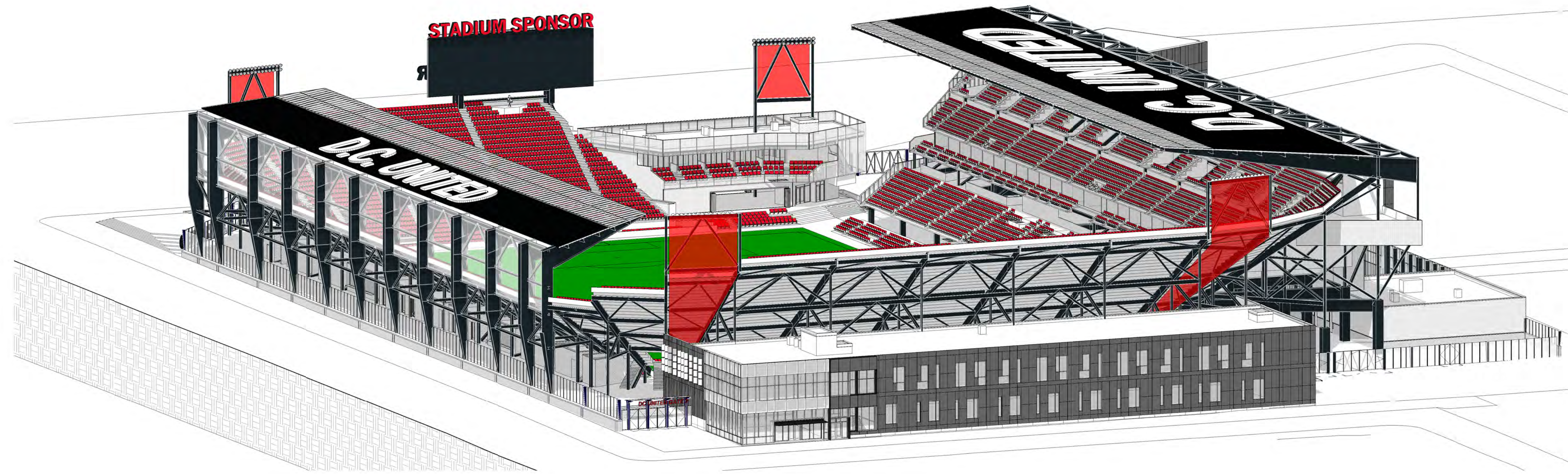
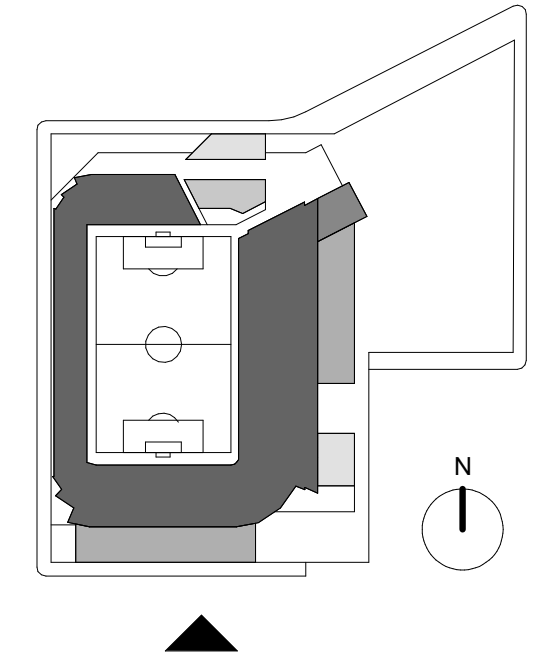
100% PUD SUBMISSION



EAST OVERALL  
ELEVATION



① SOUTH ELEVATION  
1" = 30'-0"



② SOUTH ISOMETRIC VIEW

**POPULOUS**

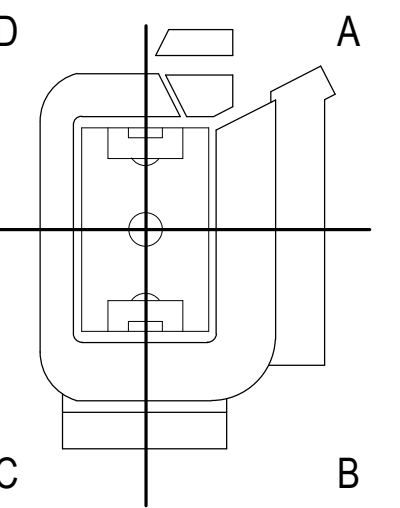
Marshall | Moya Design



DC UNITED SOCCER STADIUM

100 Potomac Avenue, SW  
Washington, DC 20024

100% PUD SUBMISSION

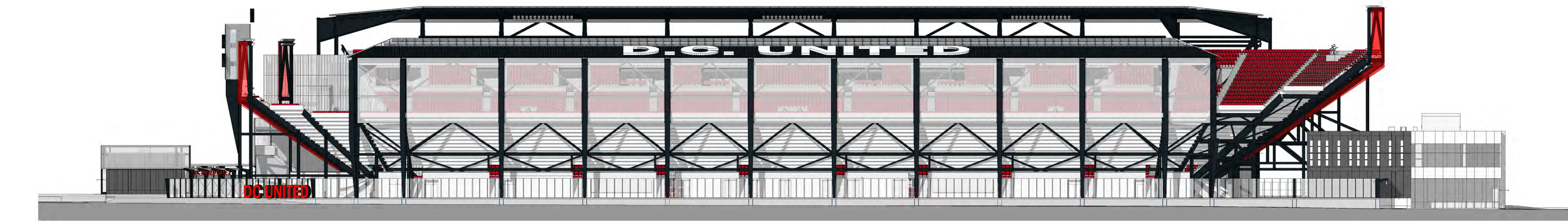


SOUTH OVERALL  
ELEVATION

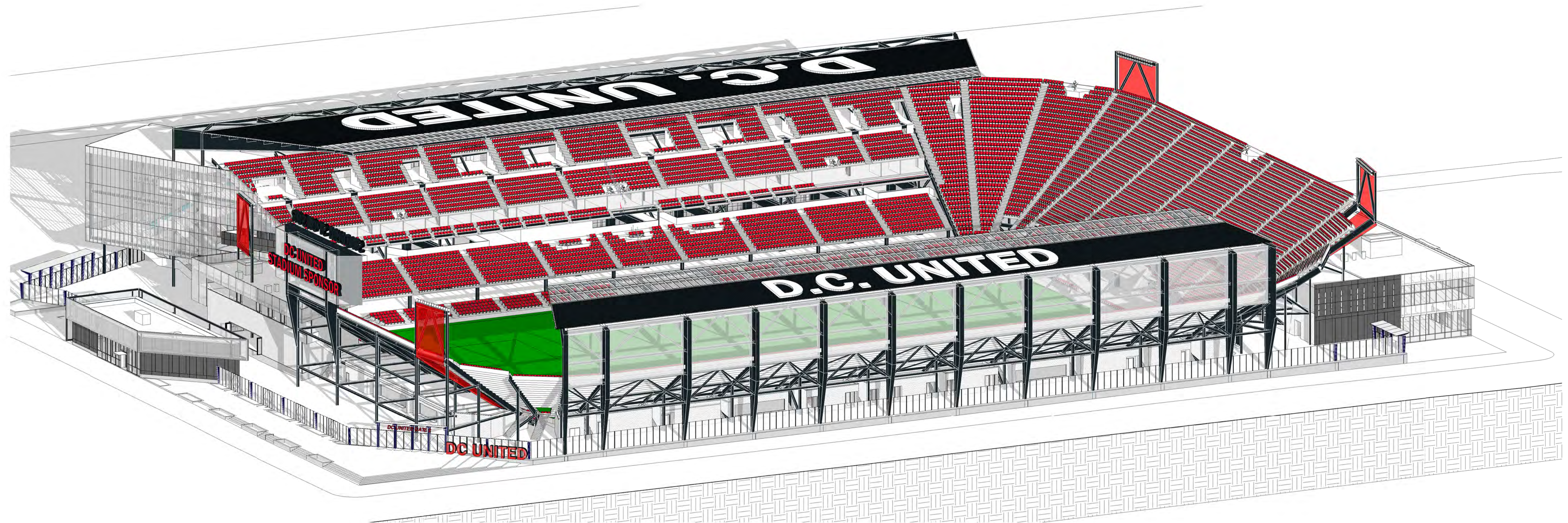
1.30



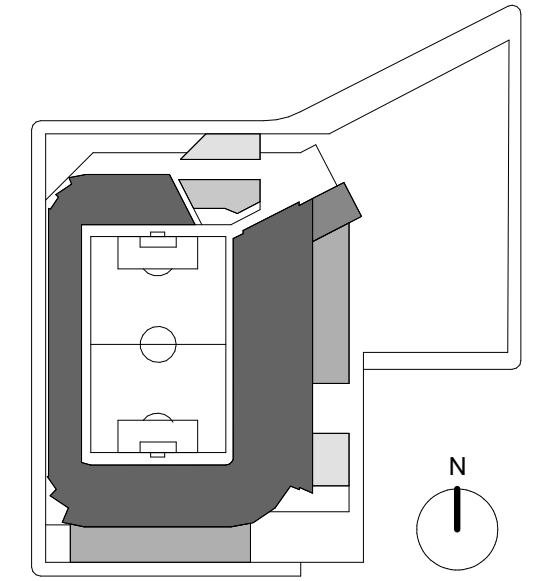
PROJECT NORTH



1 WEST ELEVATION  
1" = 30'-0"



2 WEST ISOMETRIC VIEW



**POPULOUS**

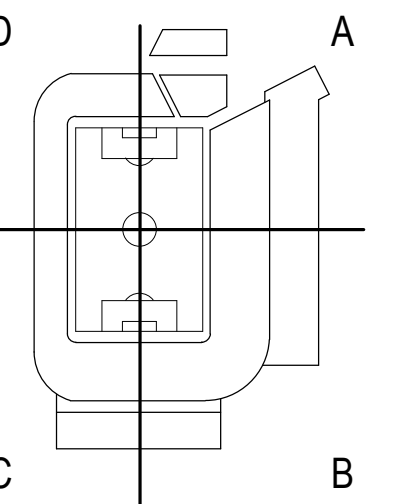
Marshall Moya Design



DC UNITED SOCCER STADIUM

100 Potomac Avenue, SW  
Washington, DC 20024

100% PUD SUBMISSION



WEST OVERALL  
ELEVATION